

REVEAL POST - SIZE GUIDELINES

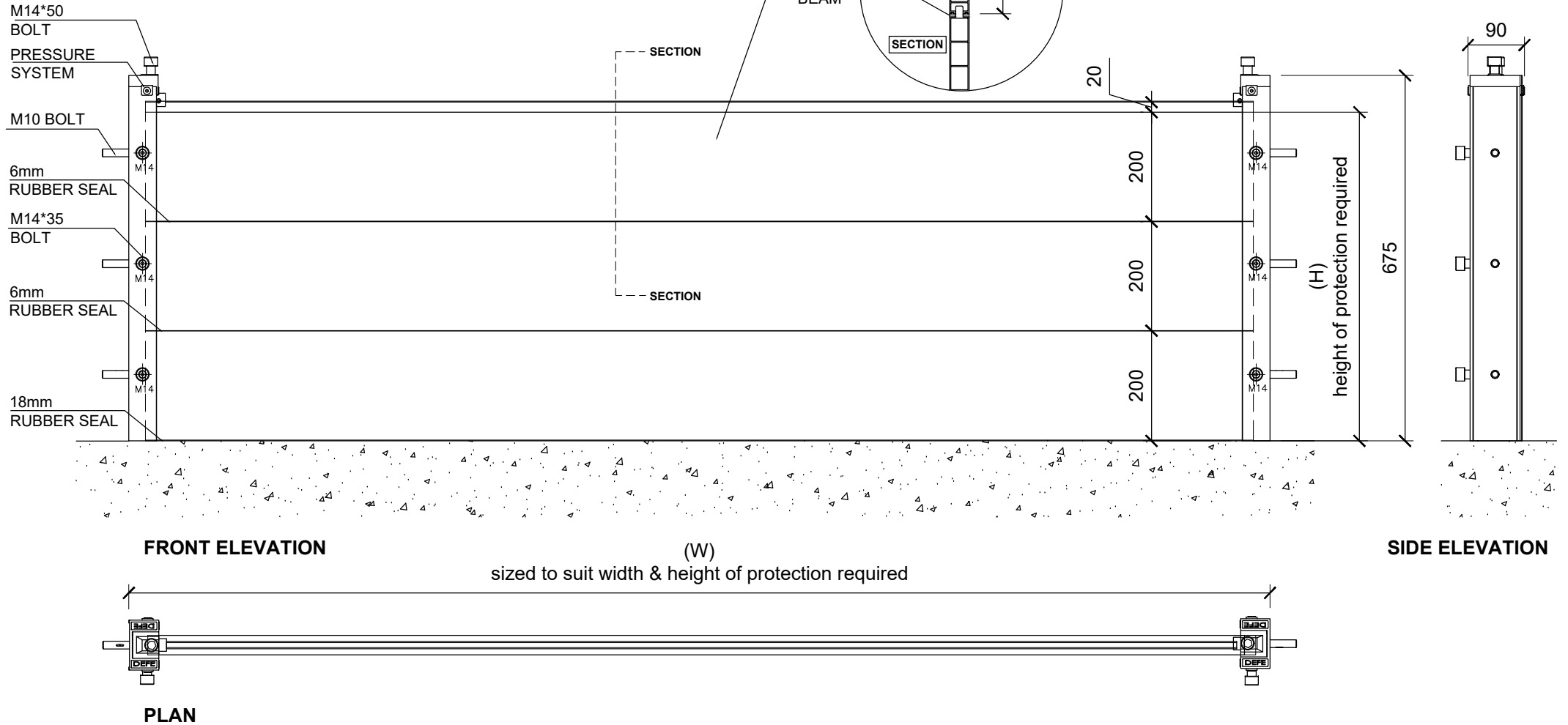
BARRIER REFERENCE	DAM HEIGHT	POST HEIGHT	DAM BEAM WIDTH
RP400 : 400mm REVEAL POST	2 DAM BEAMS	475mm	MAX 4000mm
RP600 : 600mm REVEAL POST	3 DAM BEAMS	675mm	MAX 4000mm
RP800 : 800mm REVEAL POST	4 DAM BEAMS	875mm	MAX 4000mm
RP1000 : 1000mm REVEAL POST	5 DAM BEAMS	1075mm	MAX 3000mm
RP1200 : 1200mm REVEAL POST	6 DAM BEAMS	1275mm	MAX 2500mm
RP1400 : 1400mm REVEAL POST	7 DAM BEAMS	1480mm	MAX 2500mm
RP1600 : 1600mm REVEAL POST	8 DAM BEAMS	1685mm	MAX 2000mm

ABOVE ARE THE MOST COMMON HEIGHTS, FOR HIGHER BARRIER REQUIREMENTS PLEASE CONTACT DEFE FOR FURTHER INFO

NOTE : ANY PROPOSED BARRIER THAT EXCEEDS THE MAX. WIDTH WILL REQUIRE A MIDDLE POST. SEE DETAIL SHEETS 05,06 & 07

A **RP** (REVEAL POST) FLOOD BARRIER SYSTEM FITS BETWEEN TWO STRUCTURES. FOR EXAMPLE IN A DOOR OPENING REVEAL OR BETWEEN TWO GATE PIERS. THE REVEAL MUST BE 100mm min DEEP TO FIT THE RP SYSTEM

SAMPLE SHOWN BELOW IS THE **RP600** REVEAL POST SYSTEM
 H = 600mm : 3 DAM BEAMS : OVERALL POST HEIGHT 675mm
 W= MAXIMUM WIDTH FOR 600mm H = 4000mm



FLOOD BARRIER SUPPORT DETAILS

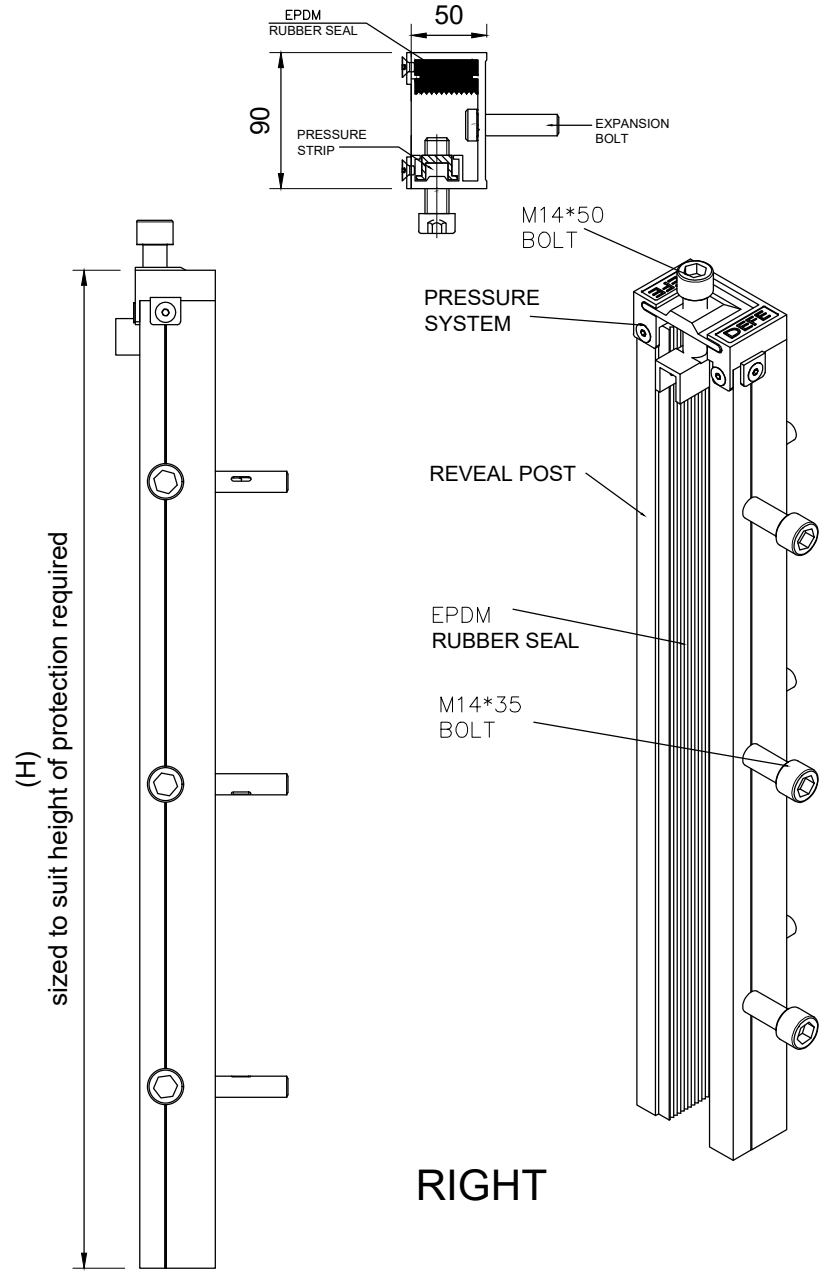
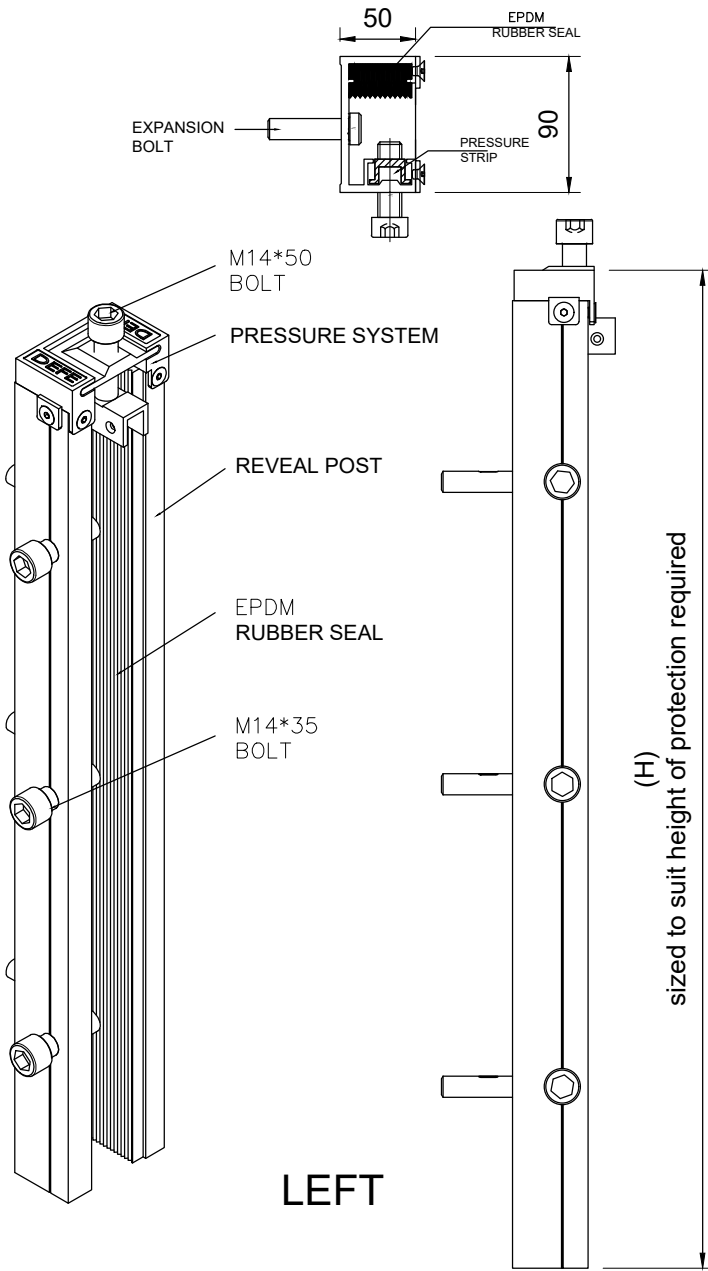
BARRIER TYPE RP REVEAL POST FITTING

PLAN & ELEVATION

Sheet 01

Scale 1:10 @ A4

All dimensions shown are in millimeters
 use figured dimensions only, do not scale from drawing. drawings copyright of DEFE



FACE POST - SIZE GUIDELINES

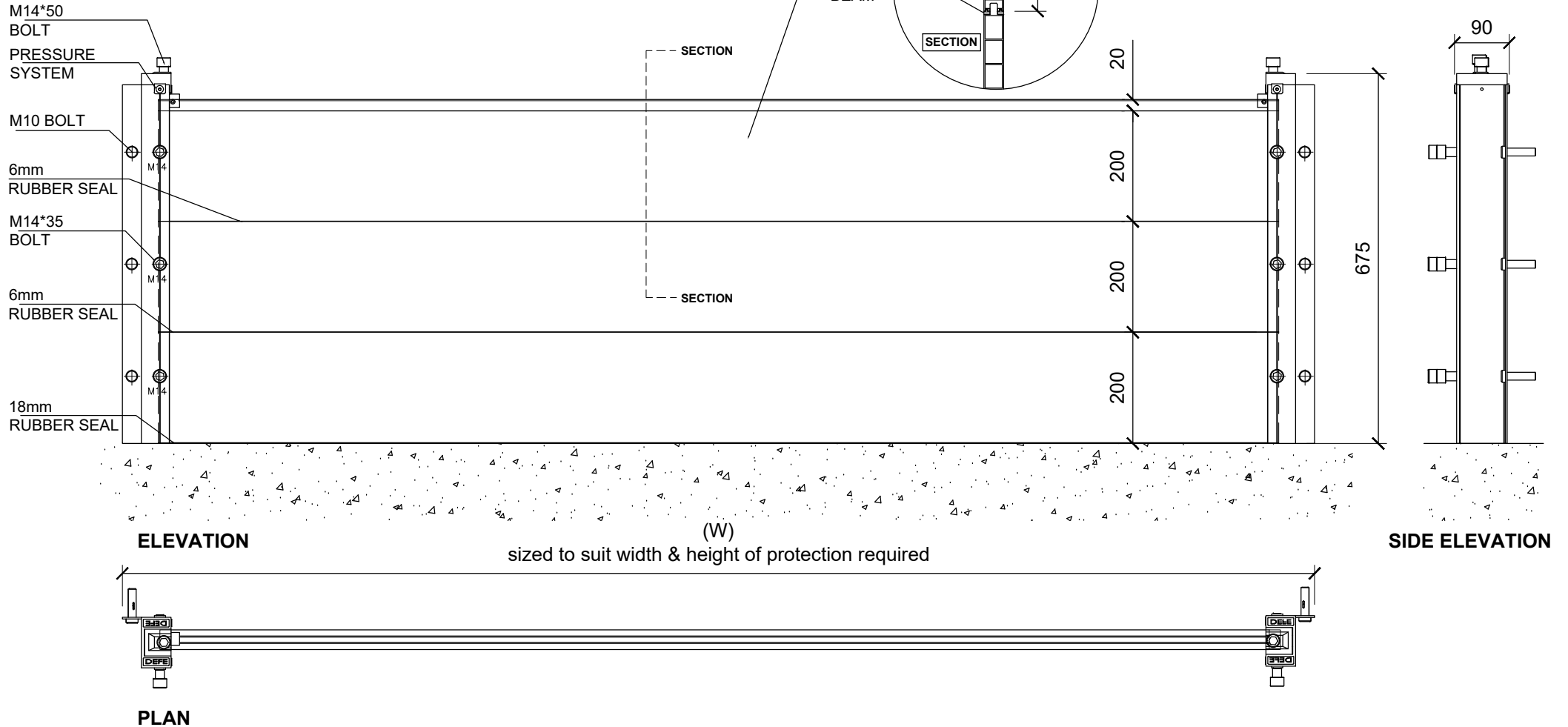
BARRIER REFERENCE	DAM HEIGHT	POST HEIGHT	DAM BEAM WIDTH
FP400 : 400mm REVEAL POST	2 DAM BEAMS	475mm	MAX 4000mm
FP600 : 600mm REVEAL POST	3 DAM BEAMS	675mm	MAX 4000mm
FP800 : 800mm REVEAL POST	4 DAM BEAMS	875mm	MAX 4000mm
FP1000 : 1000mm REVEAL POST	5 DAM BEAMS	1075mm	MAX 3000mm
FP1200 : 1200mm REVEAL POST	6 DAM BEAMS	1275mm	MAX 2500mm
FP1400 : 1400mm REVEAL POST	7 DAM BEAMS	1480mm	MAX 2500mm
FP1600 : 1600mm REVEAL POST	8 DAM BEAMS	1685mm	MAX 2000mm

ABOVE ARE THE MOST COMMON HEIGHTS, FOR HIGHER BARRIER REQUIREMENTS PLEASE CONTACT DEFE FOR FURTHER INFO

NOTE : ANY PROPOSED BARRIER THAT EXCEEDS THE MAX. WIDTH WILL REQUIRE A MIDDLE POST. SEE DETAIL SHEETS 05,06 & 07

A **FP** (FACE POST) FLOOD BARRIER SYSTEM FITS TO THE FACE OF THE STRUCTURE TO BE PROTECTED FOR EXAMPLE IN A FLUSH DOOR OPENING WITH NO REVEAL THE **FP** SYSTEM IS FIXED TO THE FACE OF THE STRUCTURE LEFT & RIGHT OF THE DOOR

SAMPLE SHOWN IS THE **FP600** REVEAL POST SYSTEM
 H = 600mm : 3 DAM BEAMS : OVERALL POST HEIGHT 675mm
 W= MAXIMUM WIDTH FOR 600mm H = 4000mm



**FLOOD BARRIER
SUPPORT DETAILS**

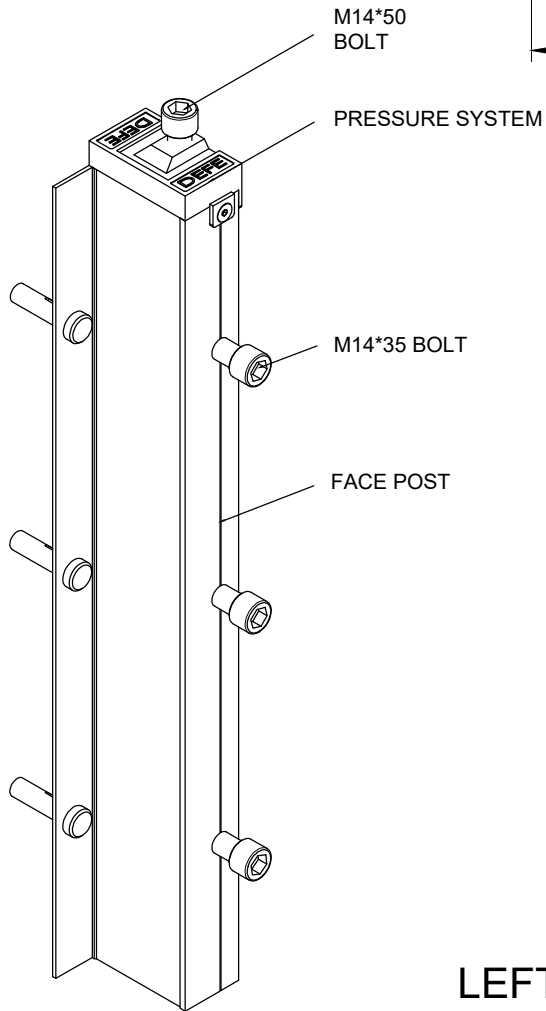
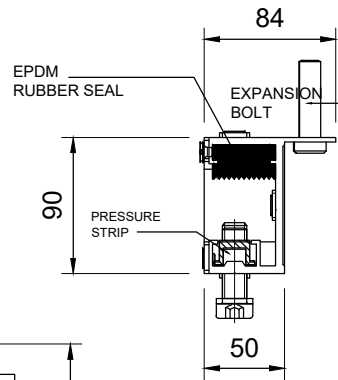
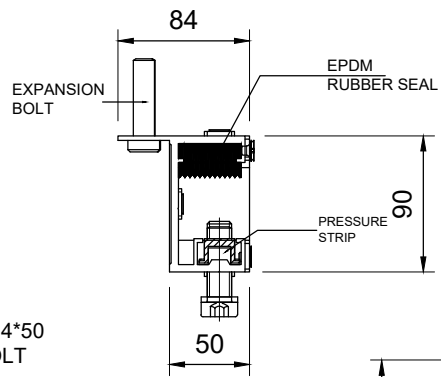
**BARRIER TYPE FP
FACE POST FITTING**

PLAN & ELEVATION

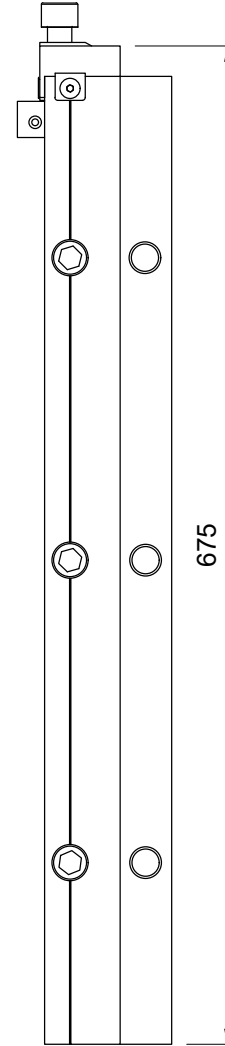
Sheet 03

Scale 1:10 @ A4

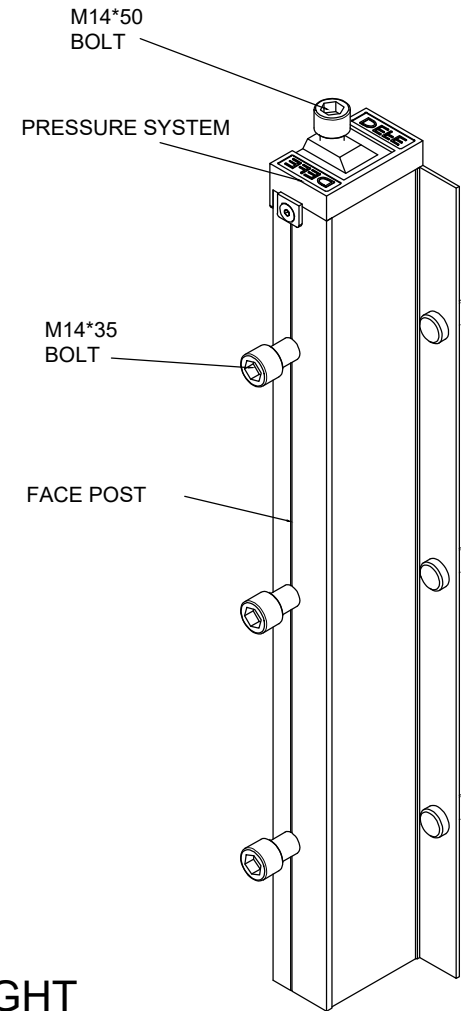
All dimensions shown are in millimeters
 use figured dimensions only, do not scale from drawing. drawings copyright of DEFE

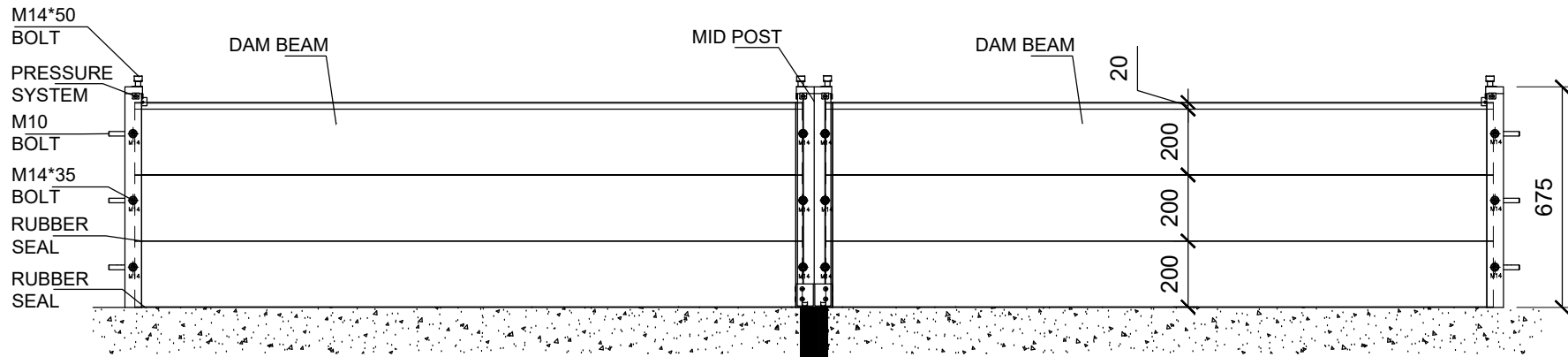


LEFT

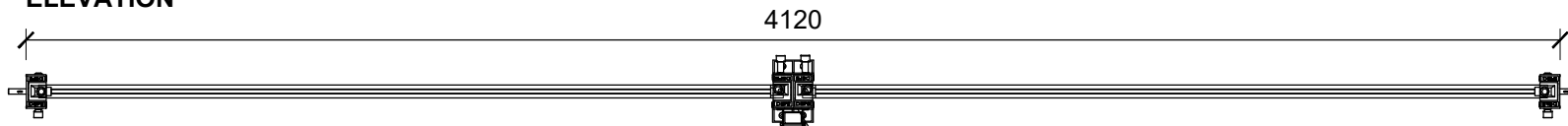


RIGHT



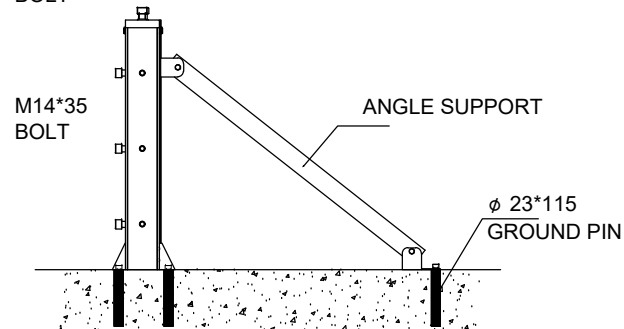


ELEVATION

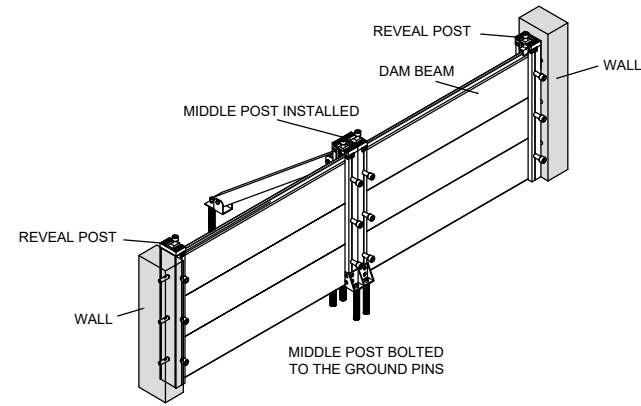


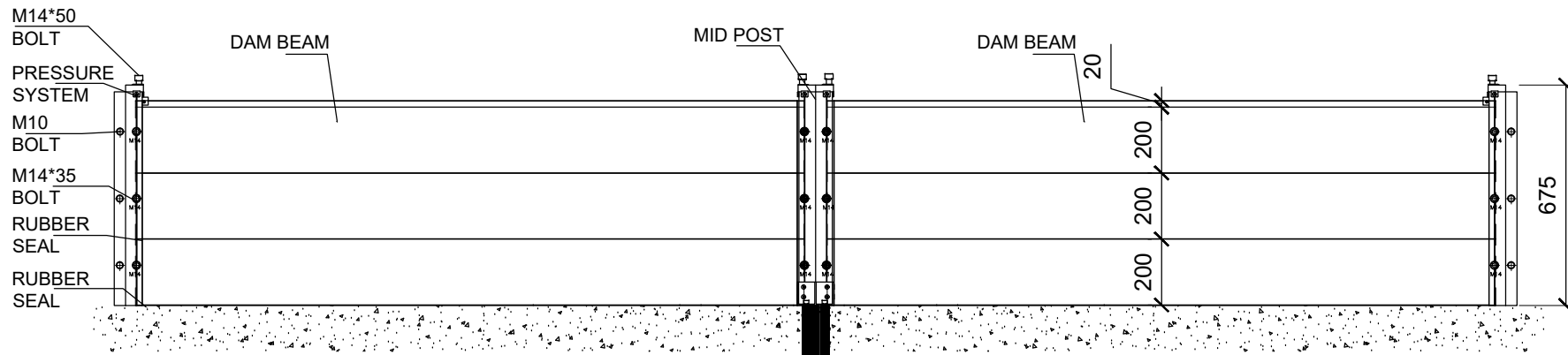
PLAN

M14*50 BOLT

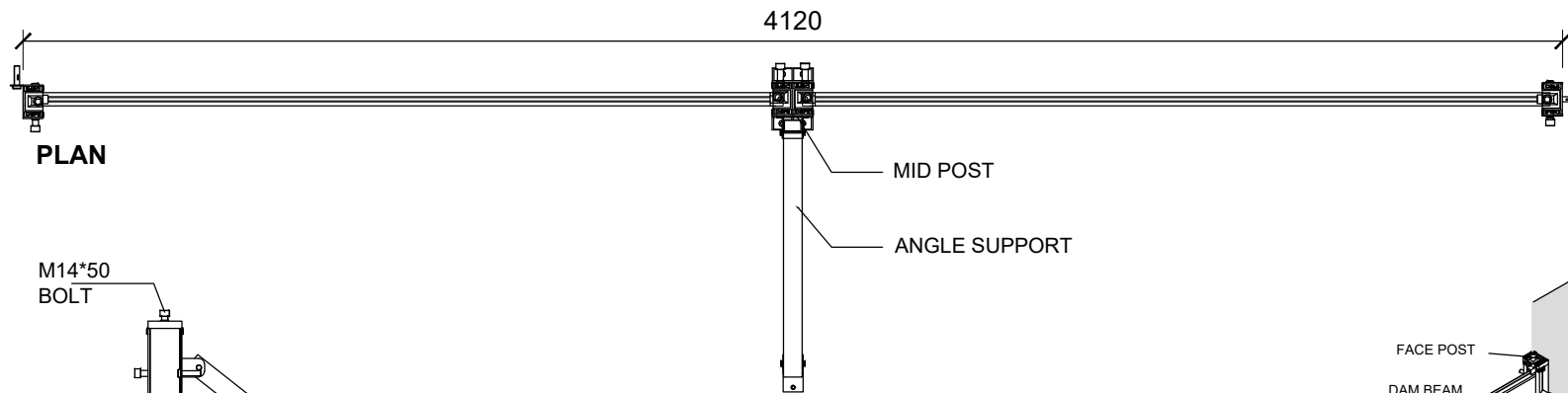


SIDE VIEW

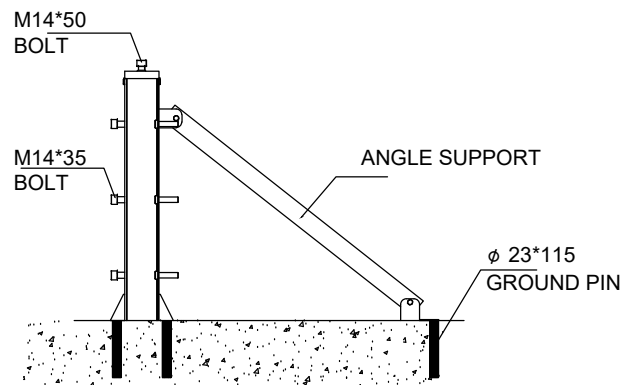




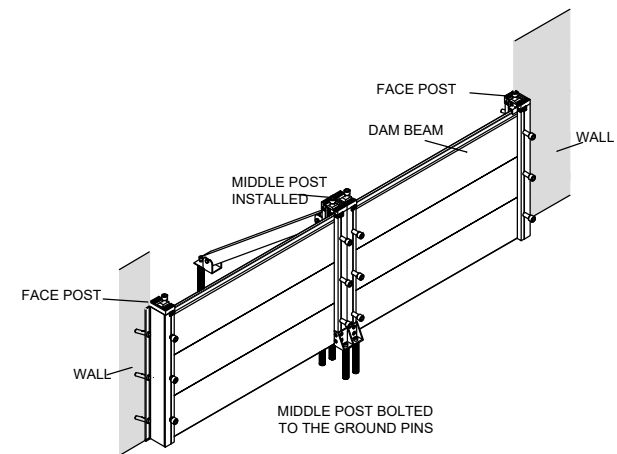
ELEVATION

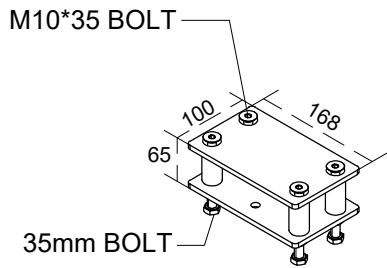


PLAN

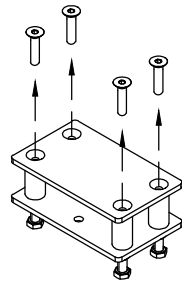


SIDE VIEW

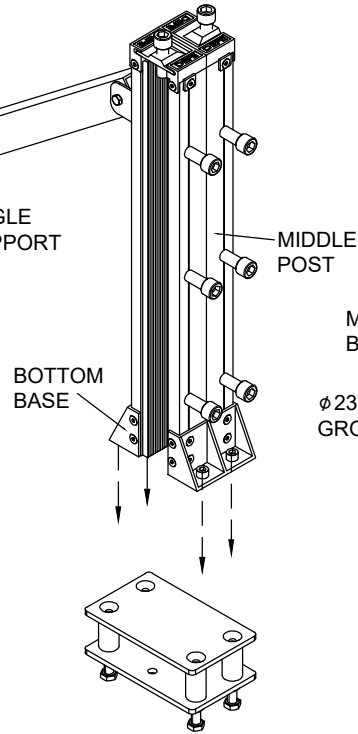




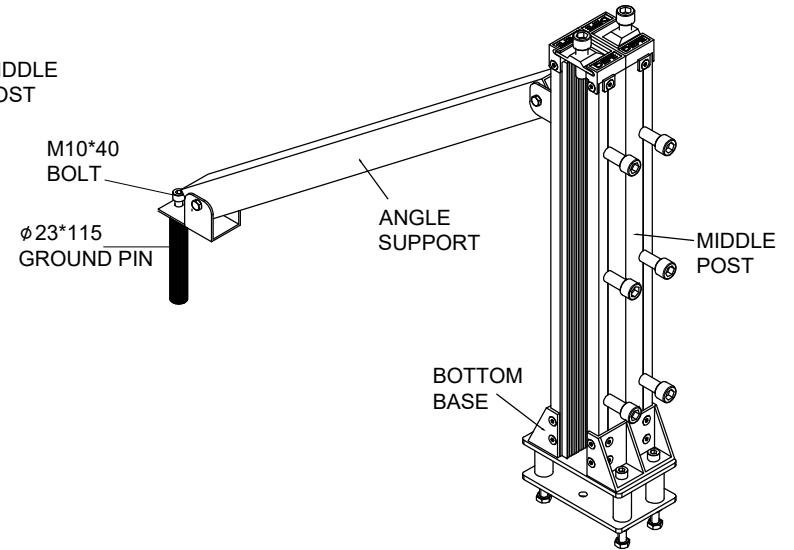
**MIDDLE POST
BASE PLATE**



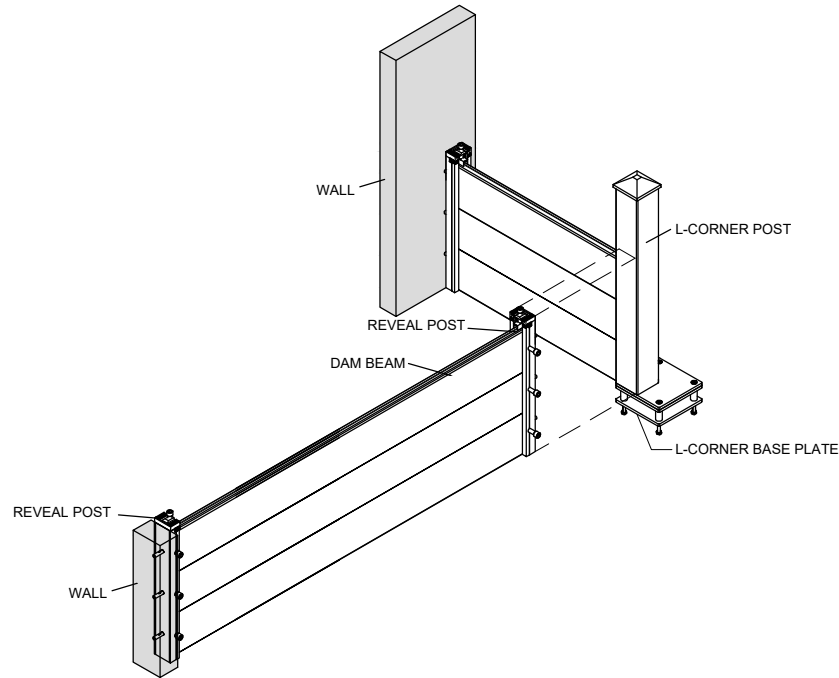
Step 1.
REMOVE M10*35 BOLTS



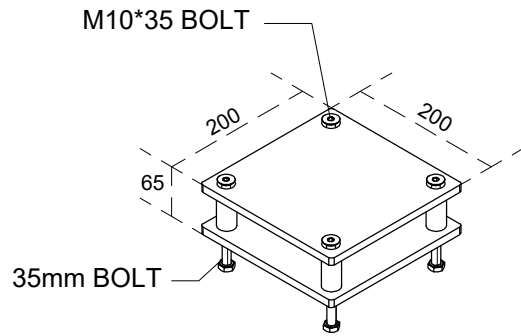
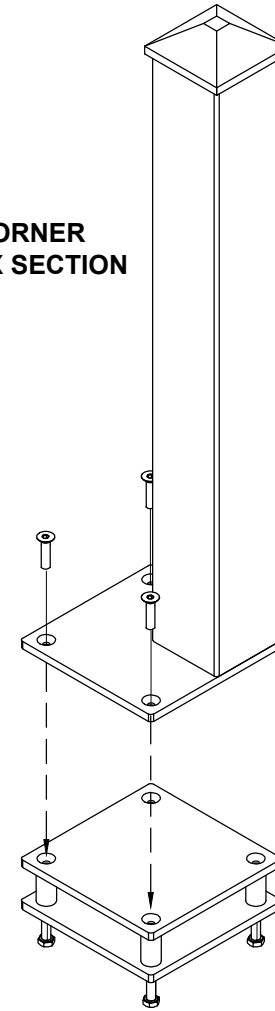
Step 2.
FIT MIDDLE POST TO
MIDDLE POST BASE PLATE
USING 4 M10*35 BOLTS



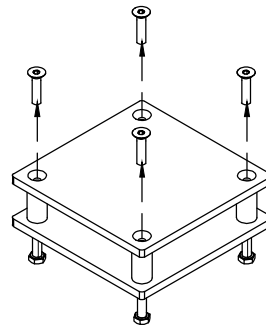
Step 3.
FIX ANGLE SUPPORT TO GROUND PIN
USING 1 M10*40 BOLT



**L-CORNER
BOX SECTION**



L-CORNER BASE PLATE



Step 1.
REMOVE M10*35 BOLTS

Step 2.
FIT L-CORNER BOX SECTION TO L-CORNER BASE
PLATE USING
3 M10*35 BOLTS
REMOVE M10*35 BOLTS